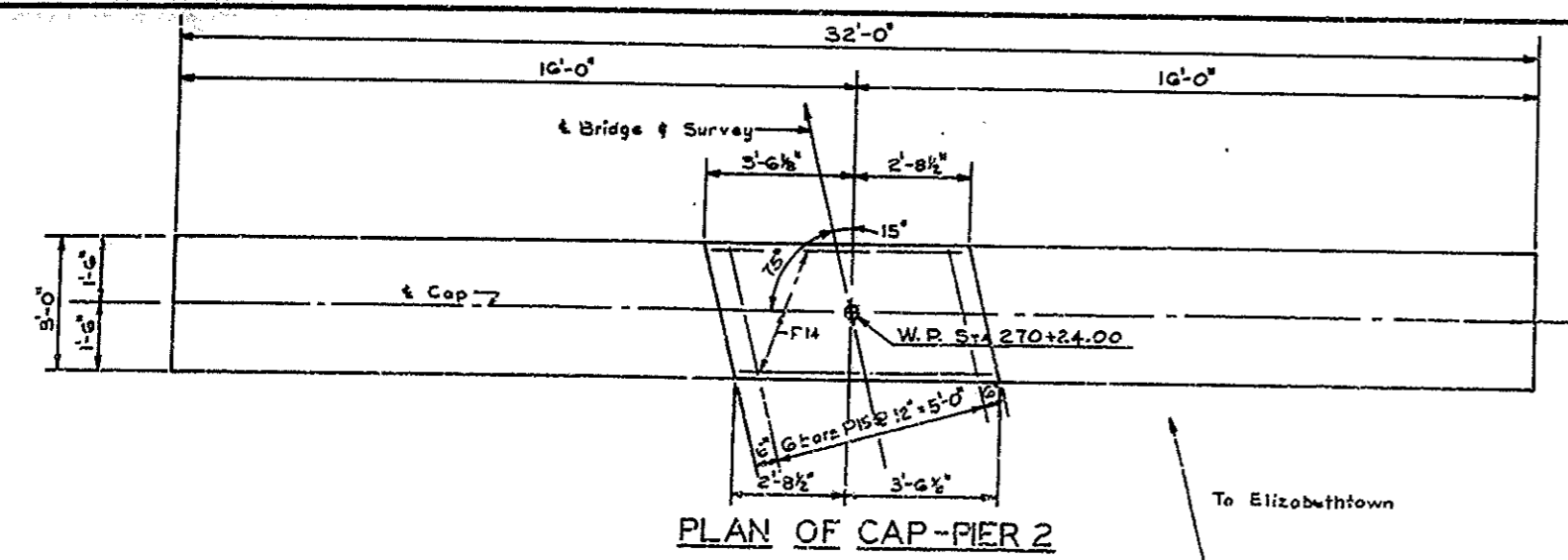
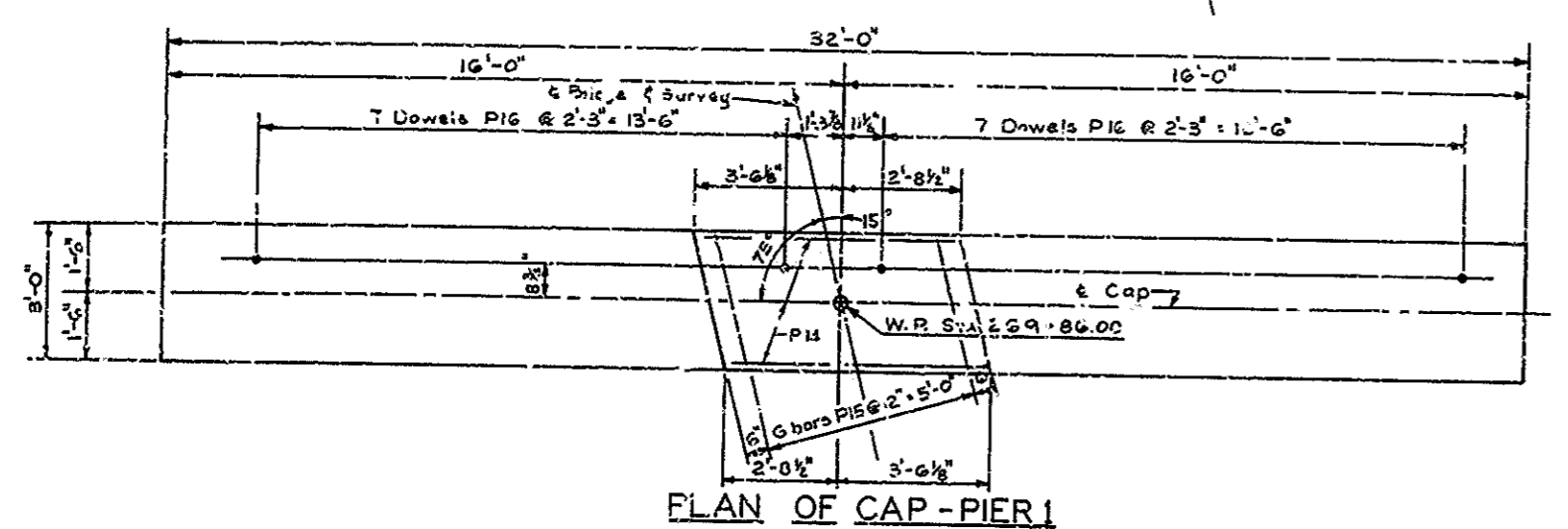


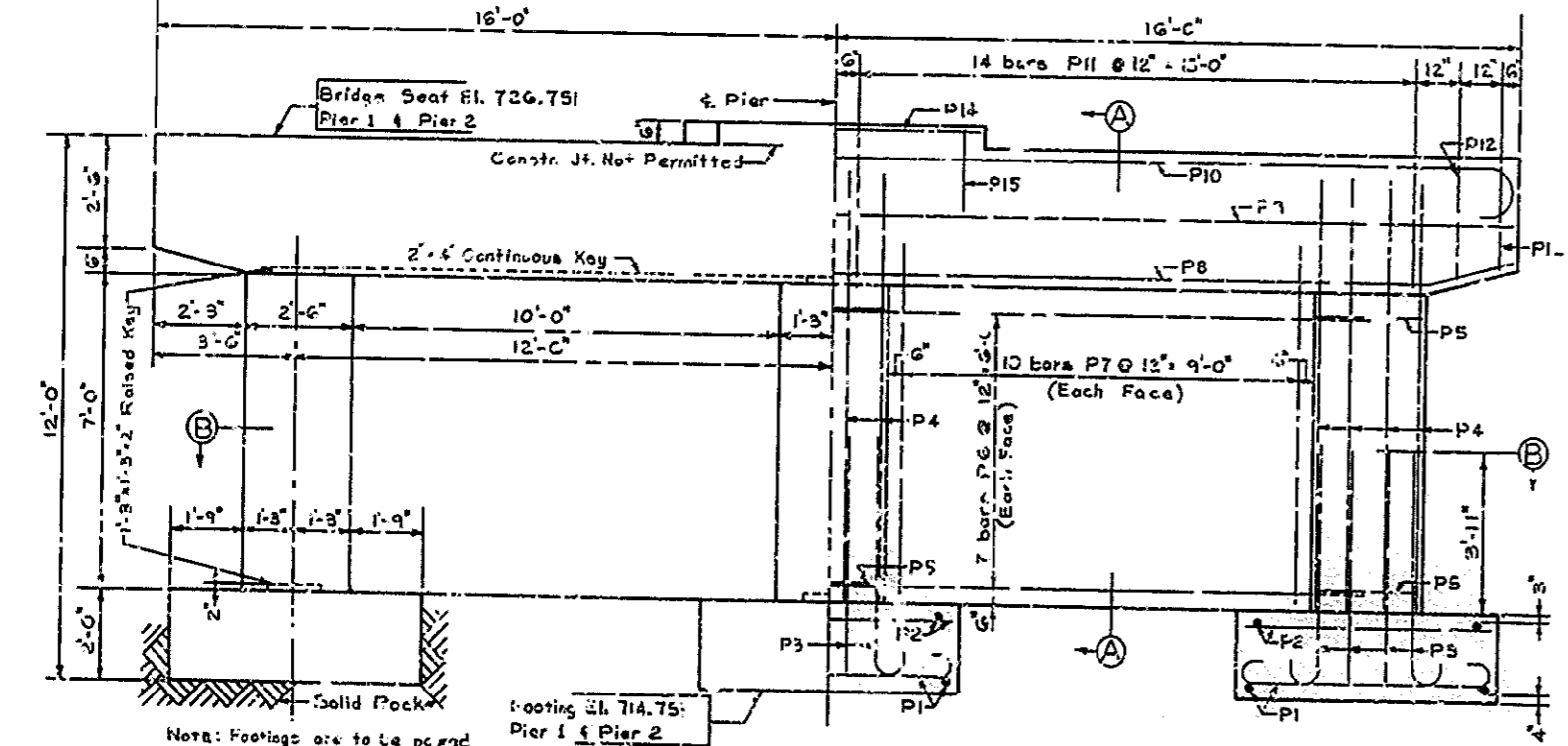
NO.	DATE	BY	CHKD.	SCALE	SHEET NO.	TOTAL SHEETS
7	KY.					



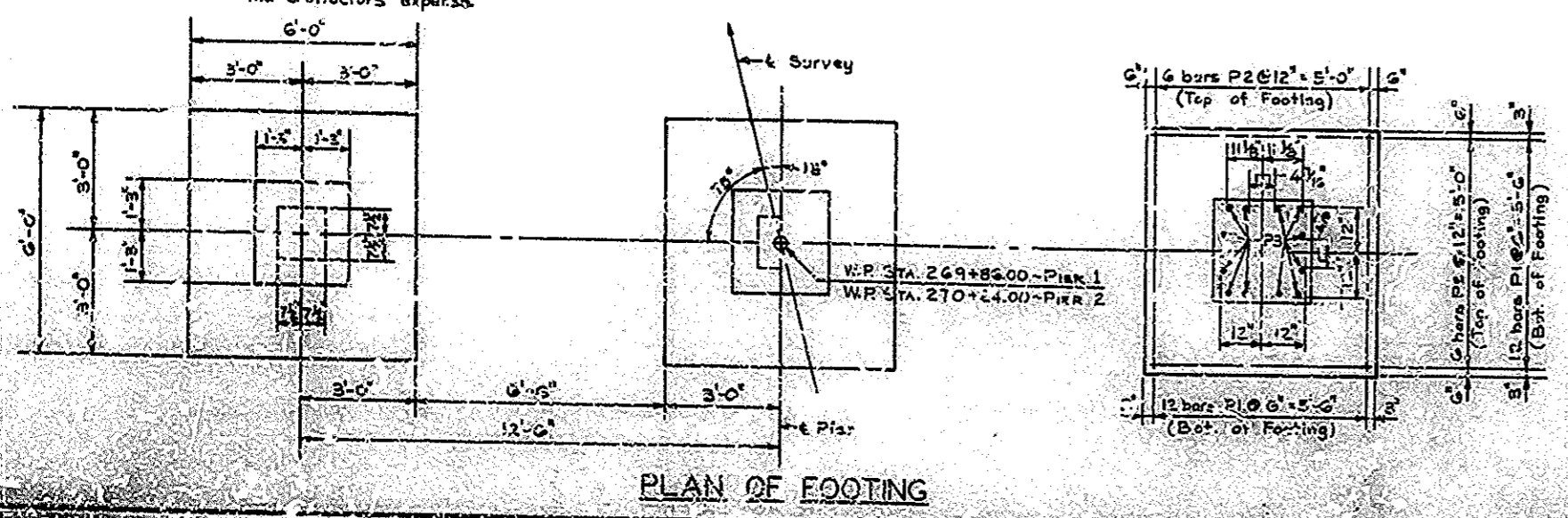
PLAN OF CAP-PIER 2



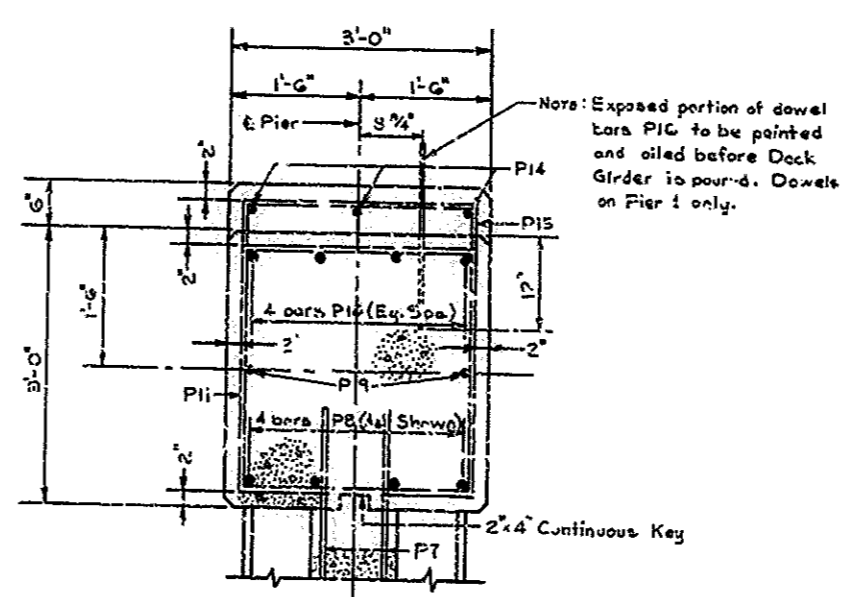
PLAN OF CAP-PIER 1



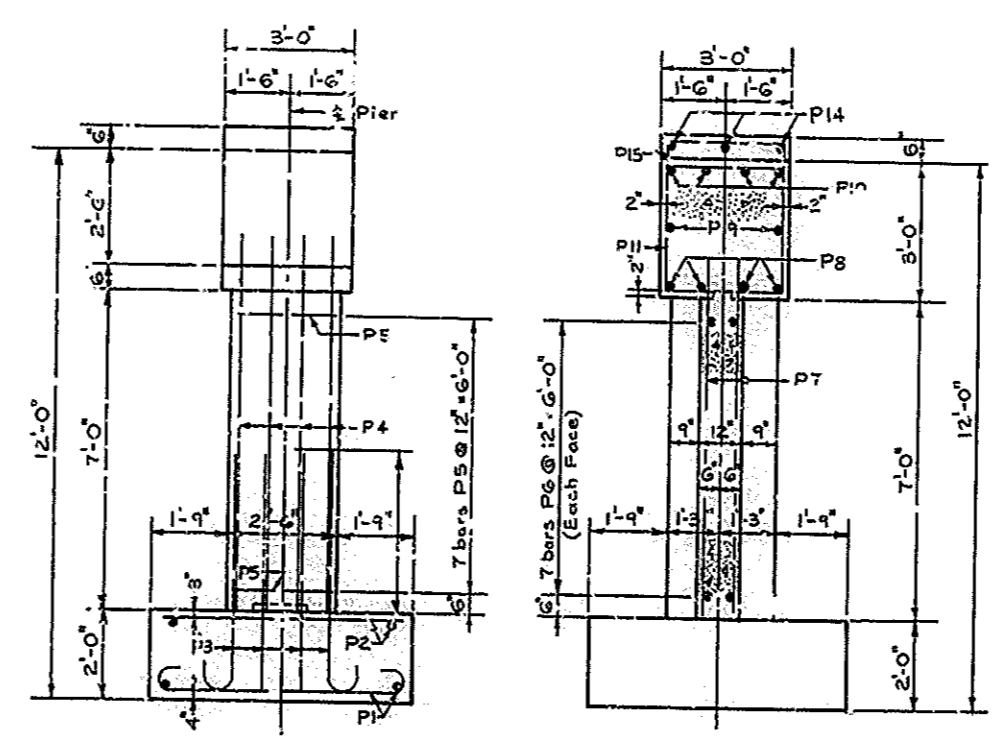
ELEVATION



PLAN OF FOOTING

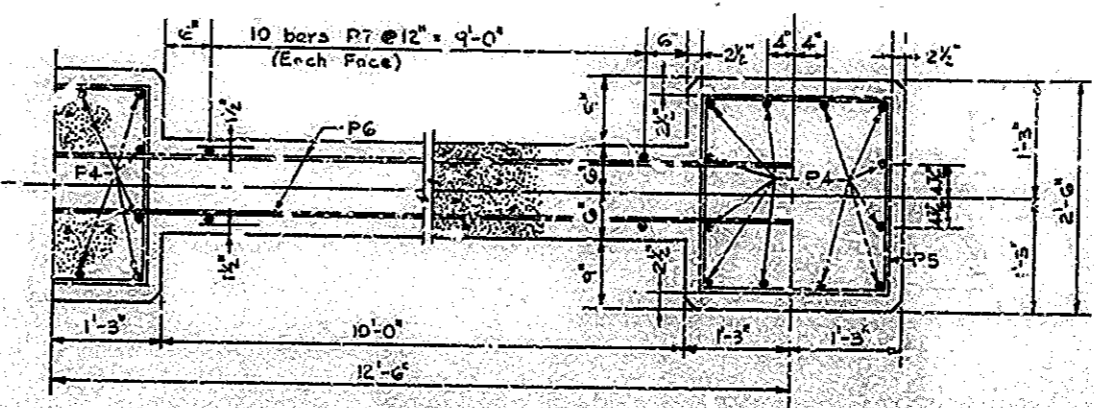


PART SECTION A-A



END ELEVATION

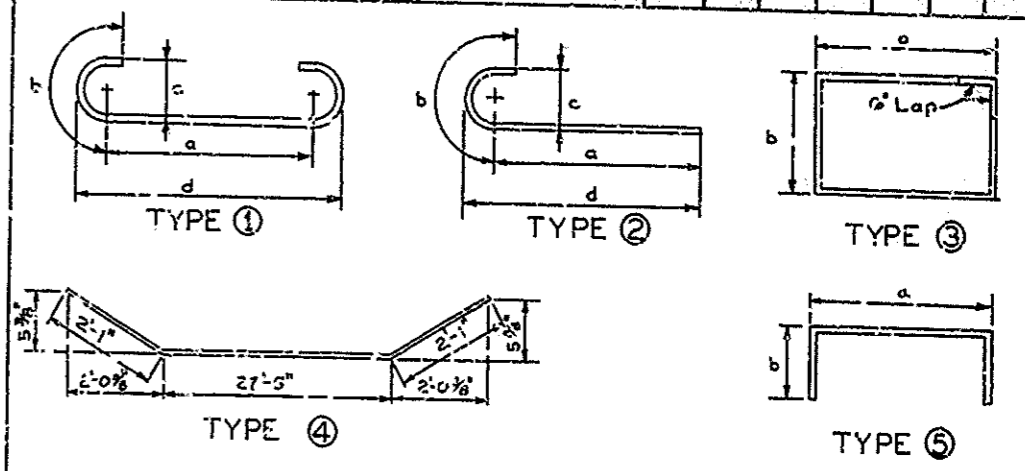
SECTION A-A



HALF SECTION B-B

BILL OF REINFORCEMENT

MARK	TYPE	NUMBER PER PIER	SIZE	LENGTH	LOCATION	PIER 1				PIER 2						
						FT.	IN.	FT.	IN.	FT.	IN.	FT.	IN.			
P1	①	72	72	5	7	0										
P2	Str.	36	36	5	5	8										
P3	②	36	36	7	6	8										
P4	Str.	36	36	7	6	8										
P5	③	21	21	4	9	1										
P6	Str.	14	14	5	25	0										
P7	Str.	40	40	4	8	0										
P8	④	4	4	9	31	7										
P9	Str.	2	2	6	3	8										
P10	①	4	4	11	3	6										
P11	⑤	28	28	5	11	5										
P12	⑥	2	2	5	11	1										
P13	⑥	2	2	5	10	7										
P14	Str.	3	3	5	6	0										
P15	⑥	6	6	5	5	1										
P16	Str.	14		4	2	0										



ESTIMATE OF QUANTITIES

ITEM	PIER 1	PIER 2
CONCRETE CLASS 'A'	28.9 C.Y.	28.9 C.Y.
REINFORCEMENT	4315 LBS.	4296 LBS.

BRIDGE OVER MIDDLE CREEK SHEET 4

COMMONWEALTH OF KENTUCKY
DEPARTMENT OF HIGHWAYS
FRANKFORT
COUNTY OF

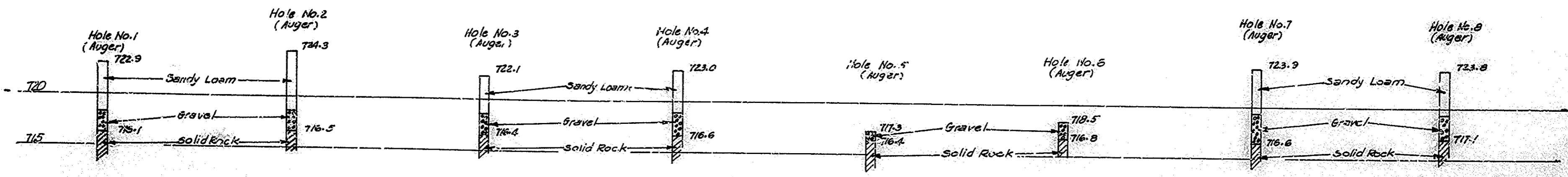
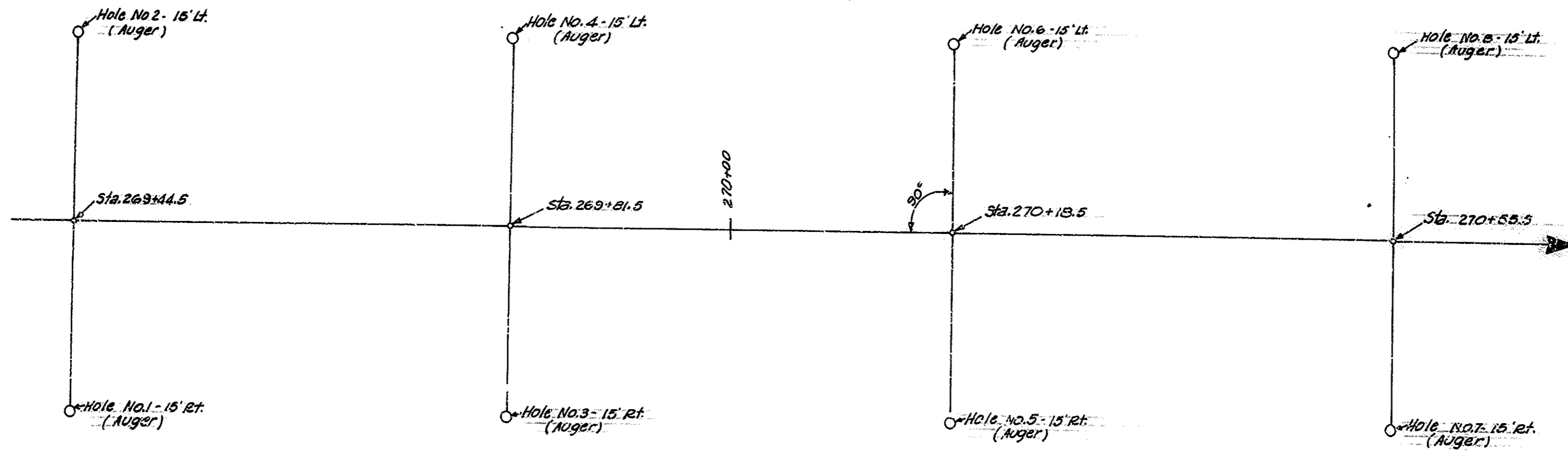
HARDIN
HIGGENVILLE - ELIZABETHTOWN
ROAD

STATION 270+05.00 PROJECT NO. 17050

BRIDGE NUMBER 17050

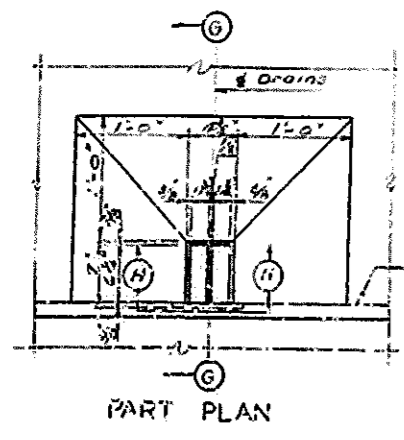
PIERS 1 & 2

NO. ROAD	STATE	PROJECT NO.	FEEDBACK	DATE	TOTAL SHEETS
7	KY.				

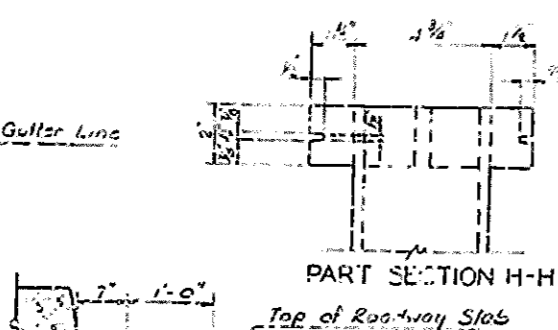


SOUNDINGS

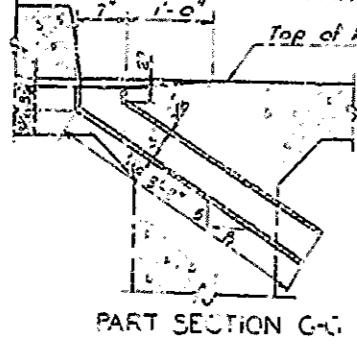
BRIDGE OVER MIDDLE CREEK SHEET 5
COMMONWEALTH OF KENTUCKY
 DEPARTMENT OF HIGHWAYS
 FRANKFORT
 COUNTY OF
HARDIN
 HODGENVILLE - ELIZABETHTOWN
 ROAD
 STATION 270+05 PROJECT NO.
 BRIDGE NUMBER 17260



PART PLAN



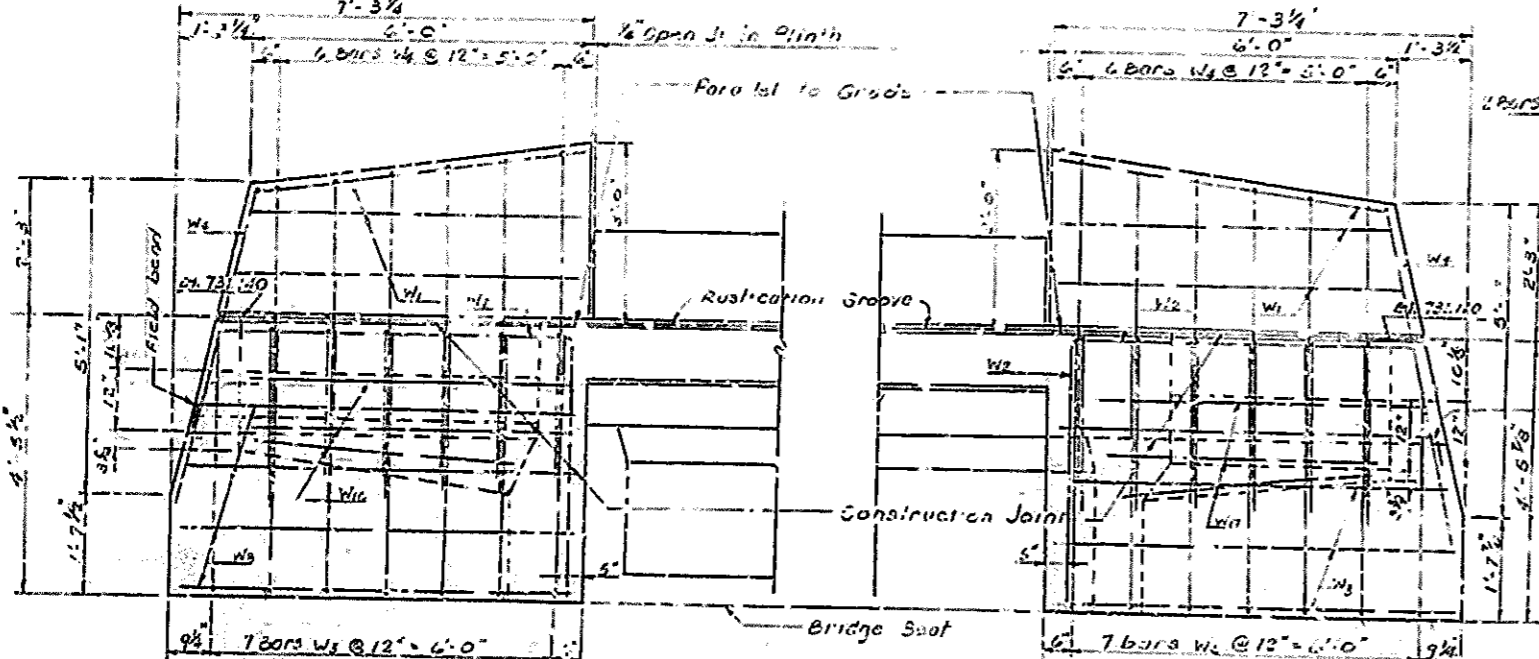
PART SECTION H-H



PART SECTION C-C

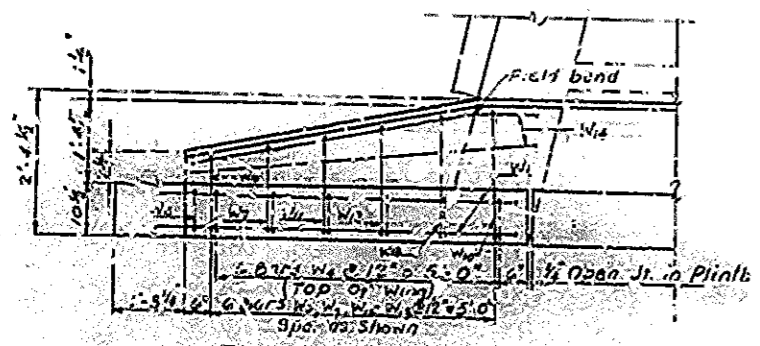
Note: Coat iron drains to be spray iron castings A.S.T.M. A536 Current specification. Current Form Report of Field Inspection of Castings to be submitted to the laboratory.
Weight of one drain with 5% added for 11 lbs.

DETAILS OF FLOOR DRAINS

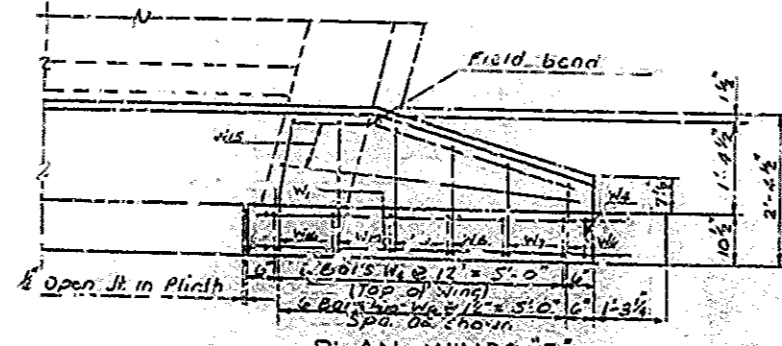


ELEVATION WINGS A

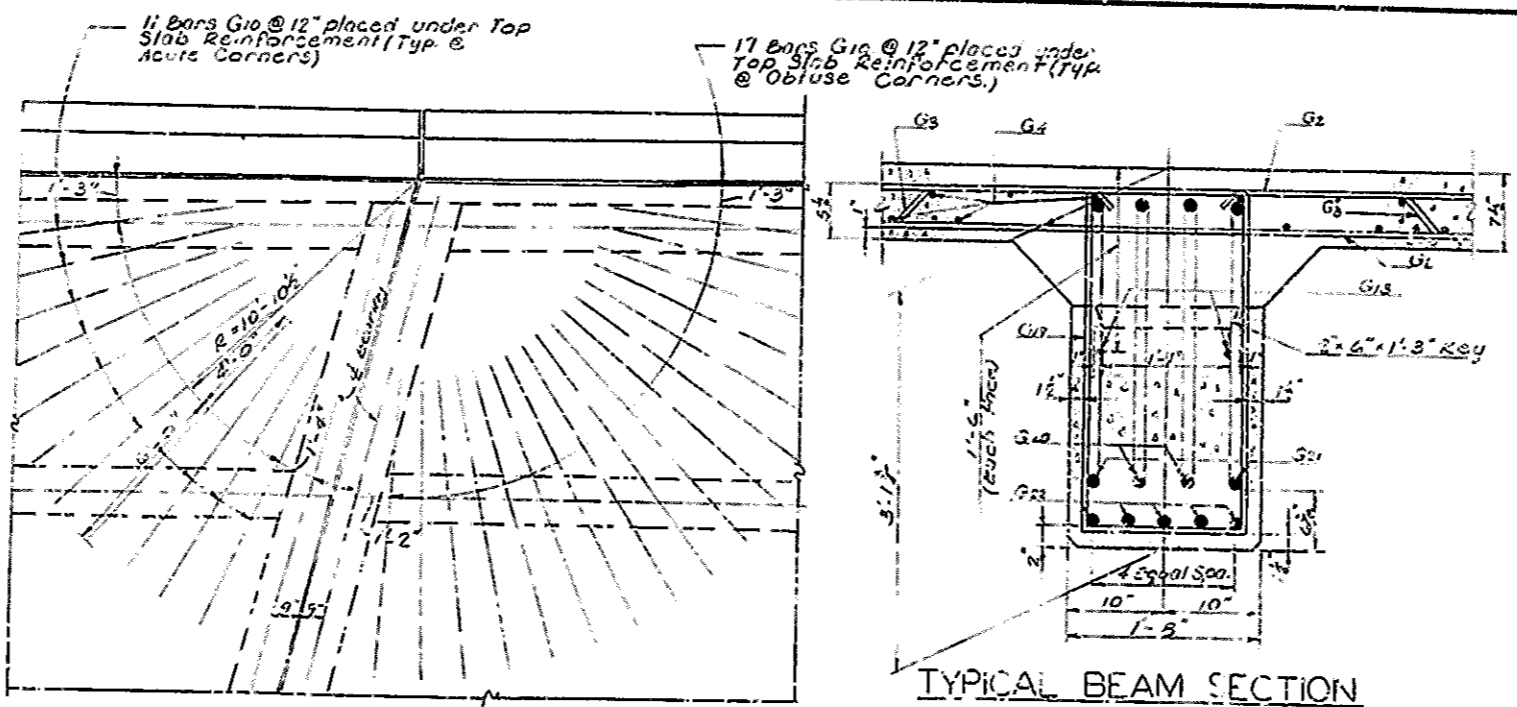
ELEVATION WINGS B



PLAN WINGS A

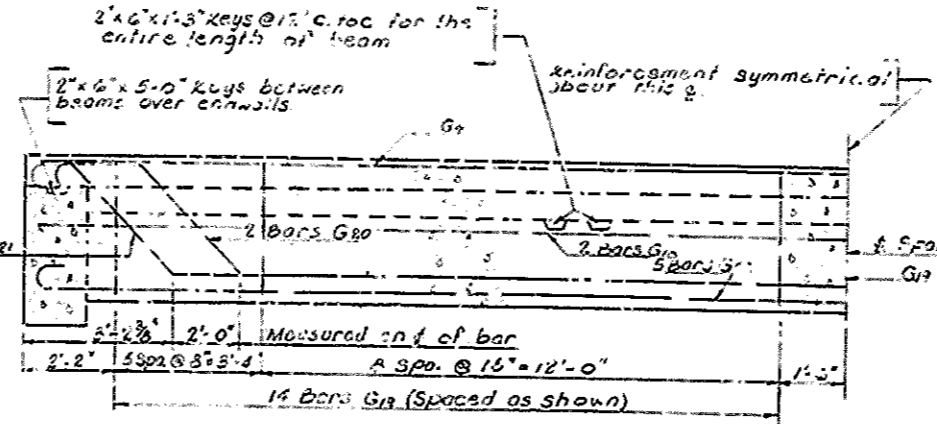


PLAN WINGS B

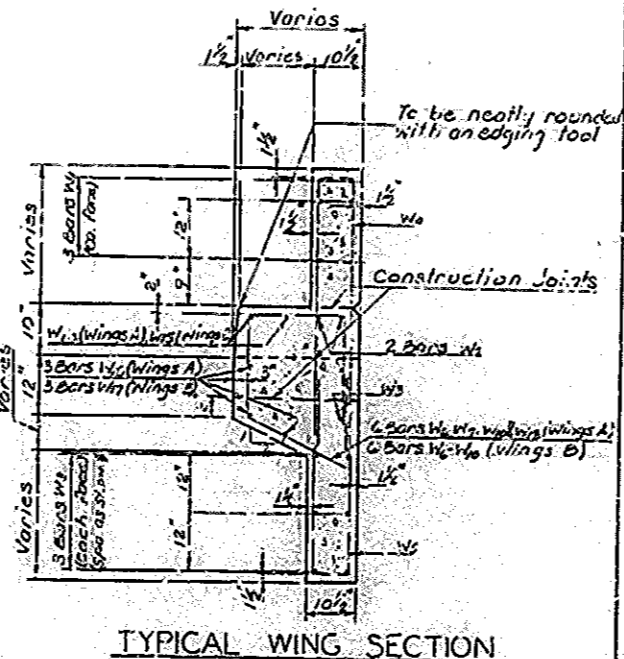


TYPICAL BEAM SECTION

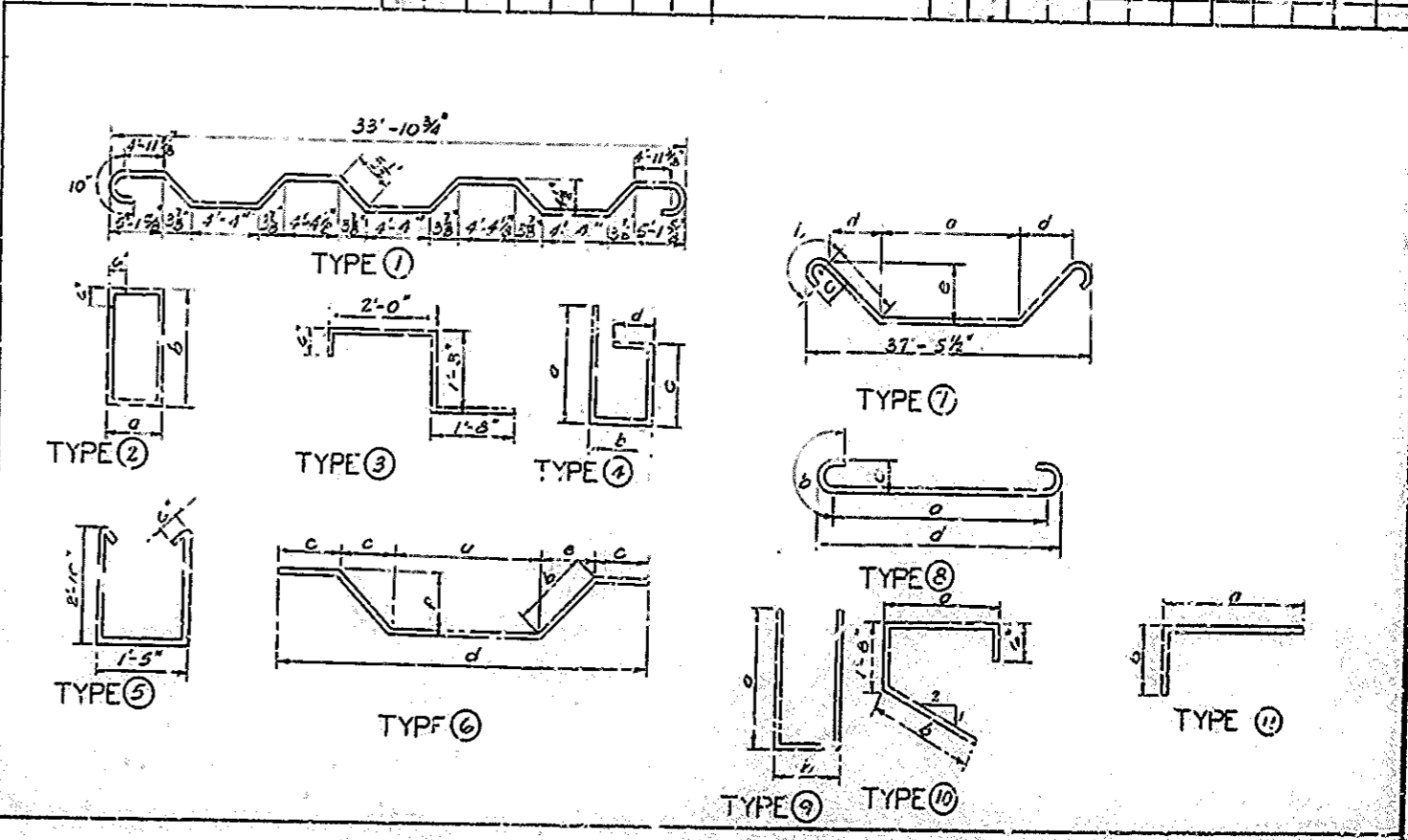
DETAIL B



HALF SECTION ON BEAMS



TYPICAL WING SECTION



BILL OF REINFORCEMENT																				
MARK	TYPE	NUMBER	SIZE	LENGTH	LOCATION															
						FT.	IN.	FT.	IN.	FT.	IN.	FT.	IN.							
G1	Slab	22	#2	10	Bot. of Slab															
G2	Slab	26	#2	10	Top of Slab															
G3	Slab	21	#2	10	Slab - Bent bar															
G4	Slab	27	#2	10	Slab															
G5	Slab	73	#2	10	Slab															
G6	Slab	4	#2	10	Slab															
G7	Slab	8	#2	10	Slab															
G8	Slab	4	#2	10	Slab															
G9	Slab	22	#2	10	Slab (Section)															
G10	Slab	8	#2	10	Endwall over Abut															
G11	Slab	8	#2	10	Endwall over Abut															
G12	Slab	8	#2	10	Endwall over Abut															
G13	Slab	12	#2	10	Over Abut															
G14	Slab	12	#2	10	Over Abut															
G15	Slab	20	#2	10	Endwall over Pier															
G16	Slab	20	#2	10	Endwall over Pier															
G17	Slab	20	#2	10	Endwall over Pier															
G18	Slab	20	#2	10	Endwall over Pier															
G19	Slab	20	#2	10	Endwall over Pier															
G20	Slab	20	#2	10	Endwall over Pier															
G21	Slab	20	#2	10	Endwall over Pier															
G22	Slab	20	#2	10	Endwall over Pier															
G23	Slab	20	#2	10	Endwall over Pier															
G24	Slab	20	#2	10	Endwall over Pier															
G25	Slab	20	#2	10	Endwall over Pier															
G26	Slab	20	#2	10	Endwall over Pier															
G27	Slab	20	#2	10	Endwall over Pier															
G28	Slab	20	#2	10	Endwall over Pier															
G29	Slab	20	#2	10	Endwall over Pier															
G30	Slab	20	#2	10	Endwall over Pier															
G31	Slab	20	#2	10	Endwall over Pier															
G32	Slab	20	#2	10	Endwall over Pier															
G33	Slab	20	#2	10	Endwall over Pier															
G34	Slab	20	#2	10	Endwall over Pier															
G35	Slab	20	#2	10	Endwall over Pier															
G36	Slab	20	#2	10	Endwall over Pier															
G37	Slab	20	#2	10	Endwall over Pier															
G38	Slab	20	#2	10	Endwall over Pier															
G39	Slab	20	#2	10	Endwall over Pier															
G40	Slab	20	#2	10	Endwall over Pier															
G41	Slab	20	#2	10	Endwall over Pier															
G42	Slab	20	#2	10	Endwall over Pier															
G43	Slab	20	#2	10	Endwall over Pier															
G44	Slab	20	#2	10	Endwall over Pier															
G45	Slab	20	#2	10	Endwall over Pier															
G46	Slab	20	#2	10	Endwall over Pier															
G47	Slab	20	#2	10	Endwall over Pier															
G48	Slab	20	#2	10	Endwall over Pier															
G49	Slab	20	#2	10	Endwall over Pier															
G50	Slab	20	#2	10	Endwall over Pier															

ESTIMATE OF QUANTITIES

	SPAN 1	SPAN 2	SPAN 3	
CONCRETE CLASS "AA"	75.8	70.6	76.8	CU. YDS.
REINFORCEMENT	19,481.	18,754.	19,481.	LBS.



RUSTICATION GROOVE DETAIL

BRIDGE OVER MIDDLE GREEK SHEET 7

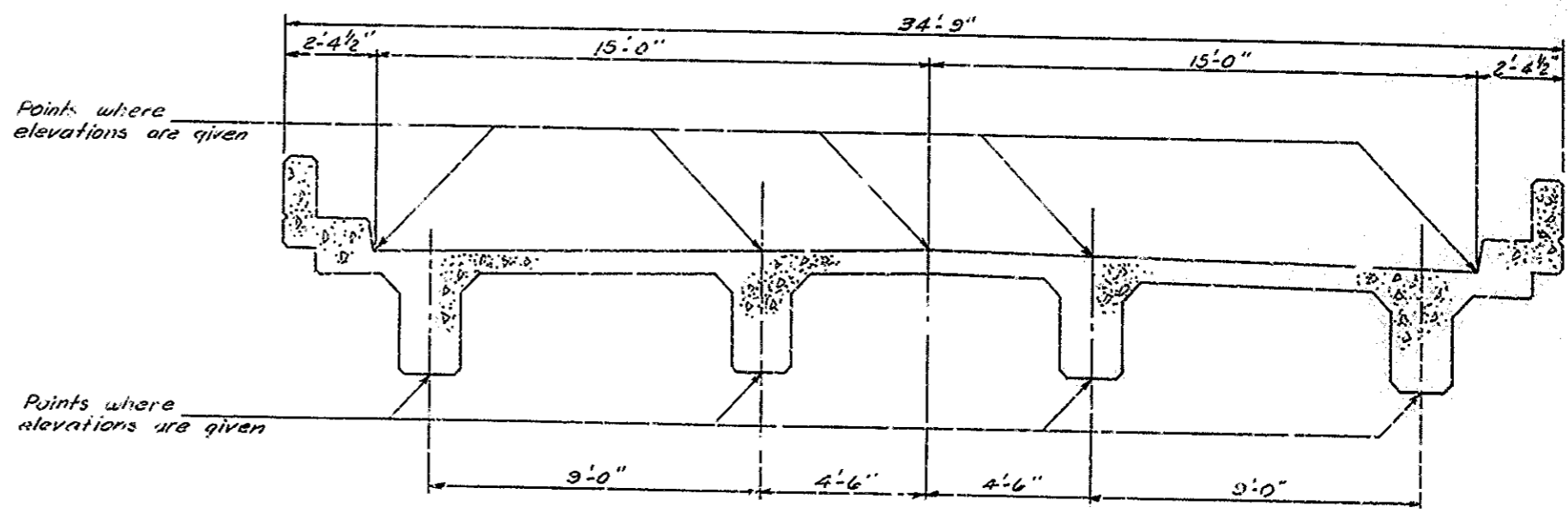
COMMONWEALTH OF KENTUCKY
DEPARTMENT OF HIGHWAYS
FRANKFORT
COUNTY OF
HARDIN
HODGENVILLE-ELIZABETHTOWN
ROAD

STATION 270+05 PROJECT NO. 1706D

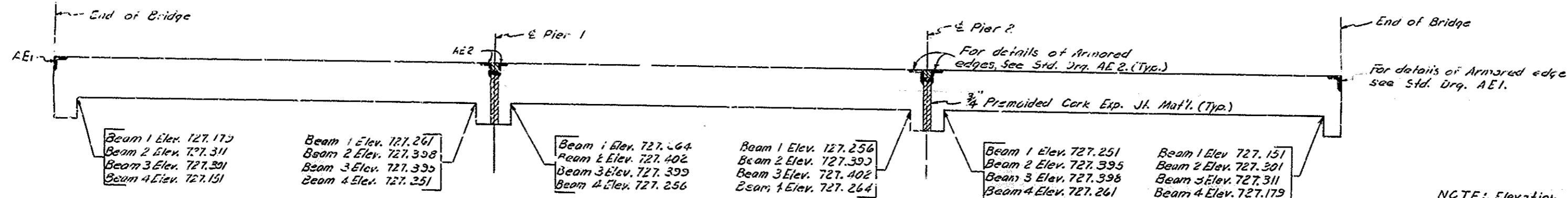
SPANS 1, 2 & 3

DATE	BY	CHKD.	APP. BY	TOTAL SHEETS
7	KY.			

LOCATION		LEFT GUTTER	BEAM 1	BEAM 2	BRIDGE SURVEY	BEAM 3	BEAM 4	RIGHT GUTTER
SKEM LN A TOP	720.257							730.266
SKEM LN B TOP								
SKEM LN C TOP								
SKEM LN D TOP								
SKEM LN E TOP								
SKEM LN F TOP								
SKEM LN G TOP								
SKEM LN H TOP								
SKEM LN I TOP								
SKEM LN J TOP								
SKEM LN K TOP								
GRID LN 1								
GRID LN 2								
GRID LN 3								
GRID LN 4								
GRID LN 5								
GRID LN 6								
GRID LN 7								
GRID LN 8								
GRID LN 9								
GRID LN 10								
GRID LN 11								
GRID LN 12								
GRID LN 13								
GRID LN 14								
GRID LN 15								
GRID LN 16								
GRID LN 17								
GRID LN 18								
GRID LN 19								

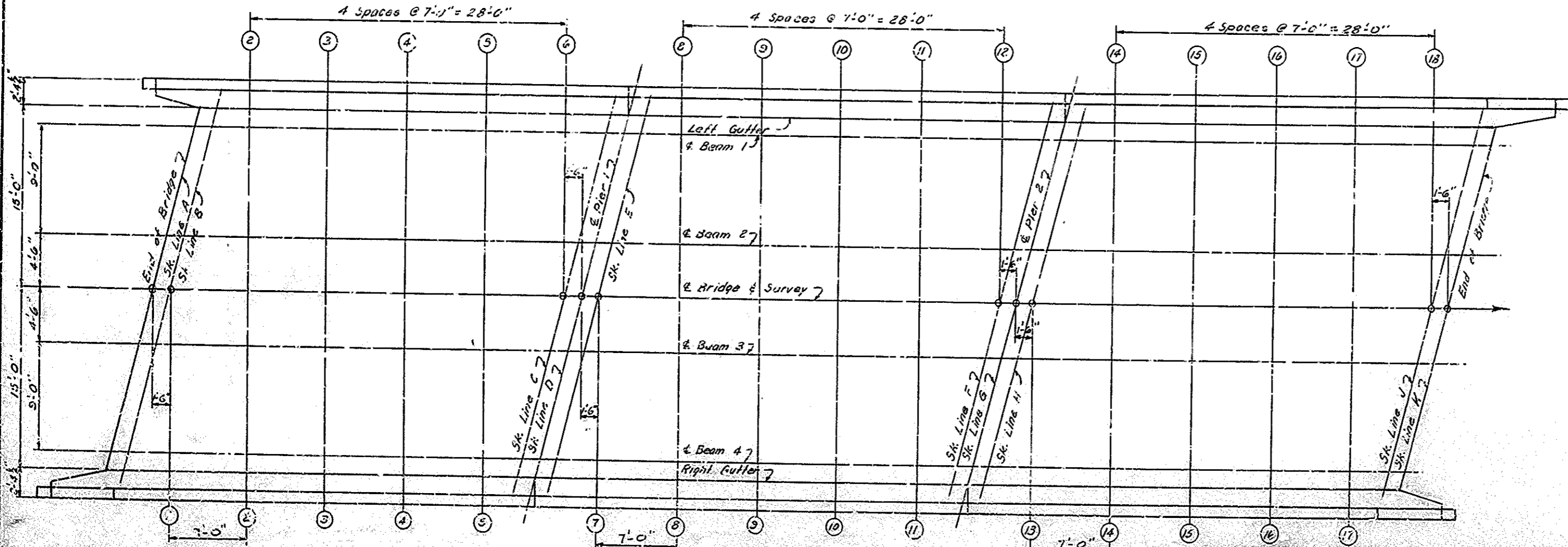


TYPICAL SECTION



TYPICAL BEAM ELEVATION

NOTE: Elevation shown contain construction camber and must be maintained with falsework in place.



PLAN

CONSTRUCTION ELEVATIONS

BRIDGE OVER MIDDLE CREEK SHEET 8

COMMONWEALTH OF KENTUCKY
DEPARTMENT OF HIGHWAYS
FRANKFORT
COUNTY OF
HARDIN
HODGENVILLE - ELIZABETHTOWN
ROAD

STATION 270+05 PROJECT NO. 17060

BRIDGE NUMBER 17060